

Gas Strut Australia

supplies gas struts and accessories to a broad market that includes retail, automotive, marine, medical and range of industries including process and manufacturing. Additionally, our range includes truck and trailer hardware.

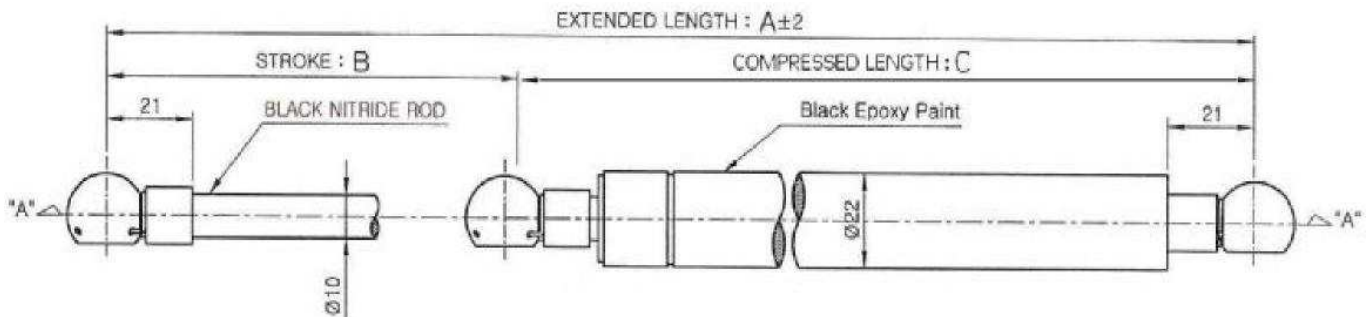
Gas Strut

is a type of spring that, unlike a typical metal spring, uses a compressed gas contained in a cylinder and compressed by a piston, to exert a force. Our struts are manufactured in accordance with ISO/TS 16949 to maintain quality consistency through the supply chain.

Our commitment to

- deliver high-quality and reliable products, through design and development to aftersales service;
- building lasting partnerships with our customer base;
- provide a 2 Year or 20,000 cycle warranty on our quality strut range.

STANDARD GAS STRUTS 10/22 mm



Product Code	A Extended Length	B Stroke Length	C Compressed Length	Newton Force Range
GSAU-195-135-1022	195	60	135	50 – 1200N
GSAU-250-165-1022	250	85	165	50 – 1200N
GSAU-295-190-1022	295	105	190	50 - 1200N
GSAU-330-205-1022	330	125	205	50 - 1200N
GSAU-350-215-1022	350	135	215	50 - 1200N
GSAU-375-230-1022	375	145	230	50 - 1200N
GSAU-405-245-1022	405	160	245	50 - 1200N
GSAU-430-255-1022	430	175	255	50 - 1200N
GSAU-450-265-1022	450	185	265	50 - 1200N
GSAU-485-285-1022	485	200	285	50 - 1200N
GSAU-500-290-1022	500	210	290	50 - 1200N
GSAU-505-295-1022	505	210	295	50 - 1200N
GSAU-525-305-1022	525	220	305	50 - 1200N
GSAU-550-315-1022	550	235	315	50 - 1200N
GSAU-565-335-1022	565	240	335	50 - 1200N
GSAU-575-330-1022	575	245	330	50 - 1200N
GSAU-595-340-1022	595	255	340	50 - 1200N
GSAU-620-350-1022	620	270	350	50 - 1200N
GSAU-630-355-1022	630	275	355	50 - 1200N
GSAU-650-365-1022	650	285	365	50 - 1200N
GSAU-670-375-1022	670	295	375	50 - 1200N
GSAU-700-390-1022	700	310	390	50 - 1200N
GSAU-730-405-1022	730	325	405	50 - 1200N

Product Code	A Extended Length	B Stroke Length	C Compressed Length	Newton Force Range
GSAU-750-415-1022	750	335	415	50 - 1200N
GSAU-770-425-1022	770	345	425	50 - 1200N
GSAU-795-440-1022	795	355	440	50 - 1200N
GSAU-795-440-1022	795	355	440	50 - 1200N
GSAU-816-451-1022	816	365	451	50 - 1200N
GSAU-830-455-1022	830	375	455	50 - 1200N
GSAU-850-470-1022	850	380	470	50 - 1200N
GSAU-900-495-1022	900	405	495	50 - 1000N
GSAU-930-510-1022	930	420	510	50 - 1000N
GSAU-940-510-1022	940	430	510	50 - 1000N
GSAU-975-530-1022	975	445	530	50 - 1000N
GSAU-1035-565-1022	1035	470	565	50 - 1000N
GSAU-1100-595-1022	1100	505	595	50 - 1000N
GSAU-1200-645-1022	1200	555	645	50 - 1000N
Notes: 1:Manufactured to ISO/TS 16949 2:Self-contained unit, maintenance free system. 3:Double vulcanized sealing system. 4:Brass guide block. 5:Shaft (ASTM A29) K1045 Grade hardened rods 6:Shaft - Black nitride (Ferritic Nitrocarburised)		7:Tube (ASTMA513) Grade1010 tube 8:Tube steel Epoxy coated black 9:Operating temperature range from -25°C to +80°C 10:Nitrogen gas filled. 11:Thread M8 x 1.25		