

**Gas Strut Australia .....**

supplies gas struts and accessories to a broad market that includes retail, automotive, marine, medical and range of industries including process and manufacturing. Additionally, our range includes truck and trailer hardware.

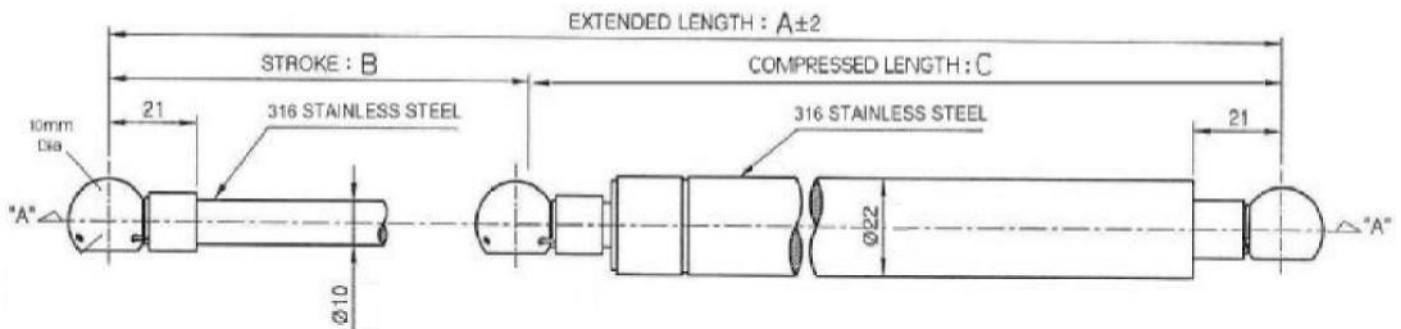
**Gas Strut .....**

is a type of spring that, unlike a typical metal spring, uses a compressed gas contained in a cylinder and compressed by a piston, to exert a force. Our struts are manufactured in accordance with ISO/TS 16949 to maintain quality consistency through the supply chain.

**Our commitment to .....**

- deliver high-quality and reliable products, through design and development to aftersales service;
- building lasting partnerships with our customer base;
- provide a 2 Year or 20,000 cycle warranty on our quality strut range.

**STAINLESS STEEL GAS STRUTS 14/28 mm**



Product Code	A Extended Length	B Stroke Length	C Compressed Length	Newton Force Range
GSA/SS-505-295-1428	505	210	295	50 - 2200N
GSA/SS-595-340-1428	595	255	340	50 - 2200N
GSA/SS-710-395-1428	710	315	395	50 - 2200N
GSA/SS-750-265-1428	750	335	415	50 - 2200N
GSA/SS-830-295-1428	830	375	455	50 - 2000N
GSA/SS-910-500-1428	910	410	500	50 - 1800N
GSA/SS-1100-595-1428	1100	505	595	50 - 1800N

Notes: 1.Manufactured to ISO/TS 16949  
2.Self-contained unit, maintenance free system.  
3.Double vulcanized sealing system.  
4.Brass guide block.  
5.SS materials per ASTM A276-10

6.Shaft – 316L Grade rod  
7.Tube – 316L Grade tube  
8.Operating temperature range from -25°C to +80°C  
9.Nitrogen gas filled.  
10. M10X1.5 Thread