

Gas Strut Australia

supplies gas struts and accessories to a broad market that includes retail, automotive, marine, medical and range of industries including process and manufacturing. Additionally, our range includes truck and trailer hardware.

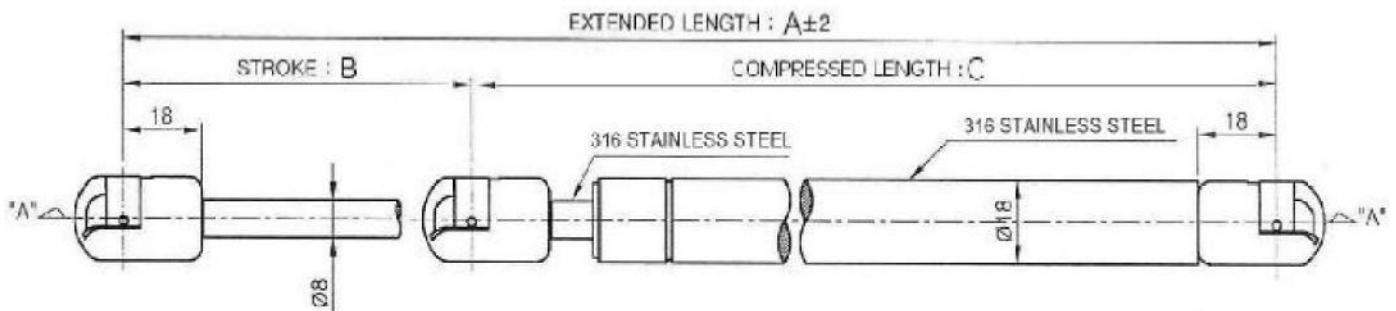
Gas Strut

is a type of spring that, unlike a typical metal spring, uses a compressed gas contained in a cylinder and compressed by a piston, to exert a force. Our struts are manufactured in accordance with ISO/TS 16949 to maintain quality consistency through the supply chain.

Our commitment to

- deliver high-quality and reliable products, through design and development to aftersales service;
- building lasting partnerships with our customer base;
- provide a 2 Year or 20,000 cycle warranty on our quality strut range.

STAINLESS STEEL GAS STRUTS 8/18 mm



Product Code	A Extended Length	B Stroke Length	C Compressed Length	Newton Force Range
GSA/SS-310-195-0818	310	115	195	50 – 700N
GSA/SS-315-195-0818	315	120	195	50 – 700N
GSA/SS-350-210-0818	350	140	210	50 – 700N
GSA/SS-390-230-0818	390	160	230	50 – 700N
GSA/SS-400-245-0818	400	165	245	50 – 700N
GSA/SS-410-245-0818	410	165	245	50 – 700N
GSA/SS-510-295-0818	510	215	295	50 – 700N
GSA/SS-525-300-0818	525	225	300	50 – 700N
GSA/SS-585-330-0818	585	255	330	50 – 700N
GSA/SS-610-340-0818	610	270	340	50 – 700N
GSA/SS-710-390-0818	710	320	390	50 – 700N

Notes: 1.Manufactured to ISO/TS 16949
 2.Self-contained unit, maintenance free system.
 3.Double vulcanized sealing system.
 4.Brass guide block.
 5.SS materials per ASTM A276-10
 6.Shaft – 316L Grade rod
 7.Tube – 316L Grade tube
 8.Operating temperature range from -25°C to +80°C
 9.Nitrogen gas filled.
 10.M6 x 1.0
 11.