

**Gas Strut Australia** .....

supplies gas struts and accessories to a broad market that includes retail, automotive, marine, medical and range of industries including process and manufacturing. Additionally, our range includes truck and trailer hardware.

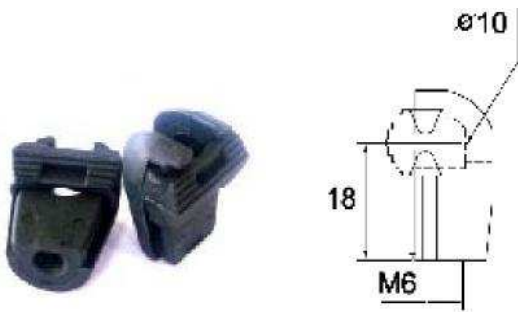
**Gas Strut** .....

is a type of spring that, unlike a typical metal spring, uses a compressed gas contained in a cylinder and compressed by a piston, to exert a force. Our struts are manufactured in accordance with ISO/TS 16949 to maintain quality consistency through the supply chain.

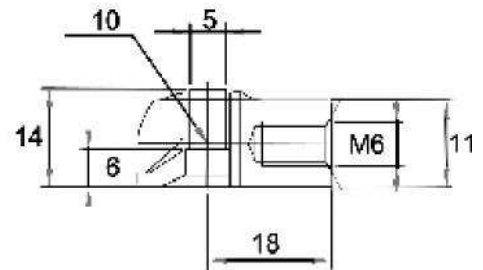
**Our commitment to** .....

- deliver high-quality and reliable products, through design and development to aftersales service;
- building lasting partnerships with our customer base;
- provide a 2 Year or 20,000 cycle warranty on our quality strut range.

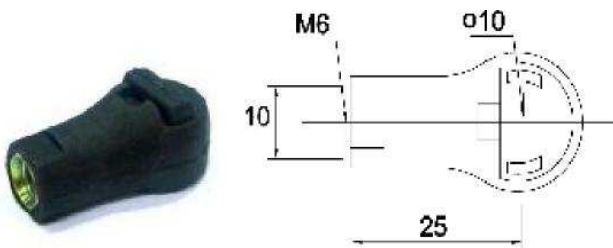
**STRUT END FITTINGS - BALL CUP (Plastic)**



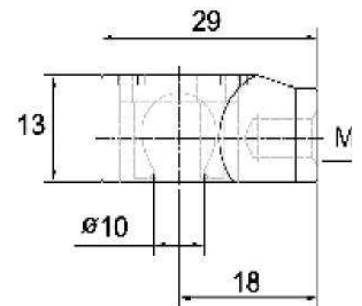
**GSAF-BCP-S10-18M6**



**GSAF-BCP-S10-18M6**



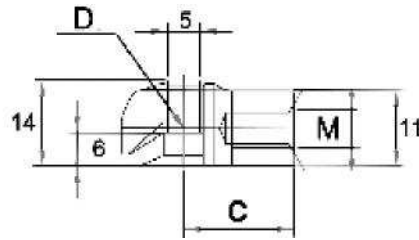
**GSAF-BCP-S10-25M6**



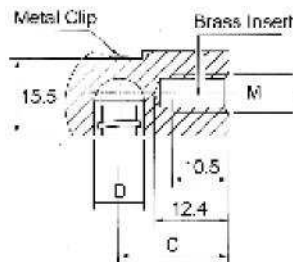
**GSAF-BCP-S10-18M6**

Product Code	Diameter Of Ball Stud	Center to End Length	Thread	Materials
GSAF-BCPB-L10-MC-18M6	10	18	M6 x 1.0	Black / Metal clip
GSAF-BCPB-L10-MC-18M6	10	18	M6 x 1.0	Black / Metal clip
GSAF-BCPB-L10-MC-25M6	10	25	M6 x 1.0	Black / Metal clip
GSAF-BCPB-L10-MC-18M6	10	18	M6 x 1.0	Black / Metal clip

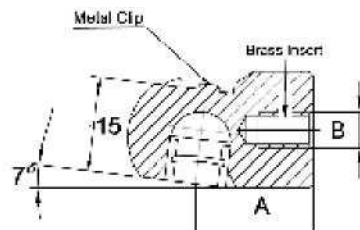
## STRUT END FITTINGS - BALL CUP (Plastic)



Product Code	Diameter Of Ball Stud (D)	Center to End Length (C)	Thread (M)	Materials
GSAF-BCPG-L10-MC-18M6	10	18	M6 x 1.0	Grey / Metal clip
GSAF-BCPB-L10-MC-18M6	10	18	M6 x 1.0	Black / Metal clip
GSAF-BCPB-L10-LC-18M6	10	18	M6 x 1.0	Black / Stainless clip

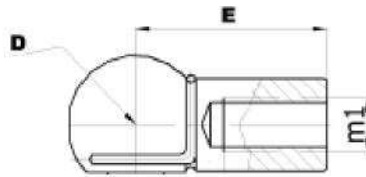


Product Code	Diameter Of Ball Stud (D)	Center to End Length (C)	Thread (M)	Materials
GSAF-BCPG-L10-MC-18M6	10	18	M6 x 1.0	Grey / Metal clip
GSAF-BCPB-L10-MC-18M6	10	18	M6 x 1.0	Black / Metal clip
GSAF-BCPB-L10-MC-18M8	10	18	M8 x 1.25	Black / Metal clip
GSAF-BCPB-L08-MC-18M6	8	18	M6 x 1.0	Black / Metal clip

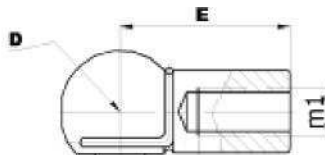


Product Code	Diameter Of Ball Stud (D)	Center to End Length (A)	Thread (B)	Materials
GSAF-BCPB-A10-MC-18M6	10	18	M6 x 1.0	Black / Metal clip
GSAF-BCPB-A10-MC-18M8	10	18	M8 x 1.25	Black / Metal clip

## STRUT END FITTINGS - BALL CUP (Metal)

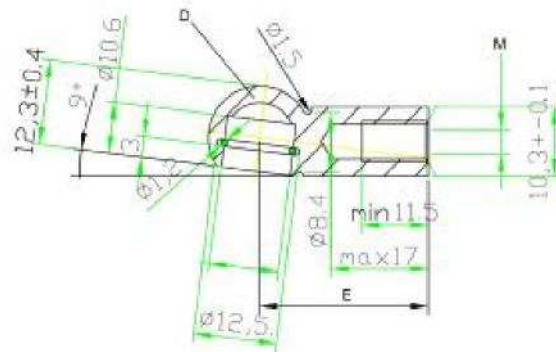


Product Code	Diameter Of Ball Stud (D)	Center to End Length (E)	Thread (m1)	Materials
GSAF-BCMB-L08-MC-18M6	8	18	M6 x 1.0	Black / Zinc Plated
GSAF-BCMB-L10-MC-18M6	10	18	M6 x 1.0	Black / Zinc Plated
GSAF-BCMB-L10-MC-25M6	10	25	M6 x 1.0	Black / Zinc Plated
GSAF-BCMB-L10-MC-30M6	10	30	M6 x 1.0	Black / Zinc Plated
GSAF-BCMB-L10-MC-40M6	10	40	M6 x 1.0	Black / Zinc Plated
GSAF-BCMB-L10-MC-21M8	10	21	M8 x 1.25	Black / Zinc Plated
GSAF-BCMB-L10-MC-30M8	10	30	M8 x 1.25	Black / Zinc Plated
GSAF-BCMB-L10-MC-40M8	10	40	M8 x 1.25	Black / Zinc Plated
GSAF-BCMB-L13-MC-21M6	13	21	M6 x 1.0	Black / Zinc Plated
GSAF-BCMB-L13-MC-30M6	13	30	M6 x 1.0	Black / Zinc Plated
GSAF-BCMB-L13-MC-21M8	13	21	M8 x 1.25	Black / Zinc Plated
GSAF-BCMB-L13-MC-30M8	13	30	M8 x 1.25	Black / Zinc Plated
GSAF-BCMB-L13-MC-40M8	13	40	M8 x 1.25	Black / Zinc Plated
GSAF-BCMB-L13-MC-21M10	13	21	M10 x 1.5	Black / Zinc Plated
GSAF-BCMB-L13-MC-30M10	13	30	M10 x 1.5	Black / Zinc Plated
GSAF-BCMB-L13-MC-40M10	13	40	M10 x 1.5	Black / Zinc Plated
GSAF-BCMB-L16-MC-25M10	16	25	M10 x 1.5	Black / Zinc Plated
GSAF-BCMB-L16-MC-35M10	16	35	M10 x 1.5	Black / Zinc Plated

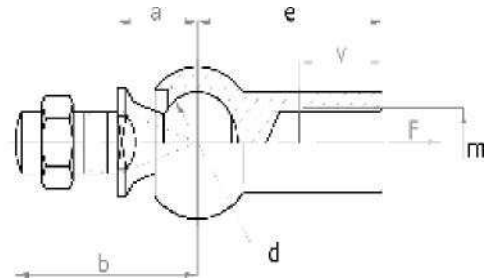


Product Code	Diameter Of Ball Stud (D)	Center to End Length (E)	Thread (m1)	Materials
GSAF-BCSS-L10-SC-18M6	10	18	M6 x 1.0	Stainless Steel
GSAF-BCSS-L10-SC-21M8	10	21	M8 x 1.25	Stainless Steel
GSAF-BCSS-L13-SC-21M8	13	21	M8 x 1.25	Stainless Steel
GSAF-BCSS-L13-SC-21M10	13	21	M10 x 1.5	Stainless Steel

## STRUT END FITTINGS - BALL CUP (Metal)



Product Code	Diameter Of Ball Stud (D)	Center to End Length (E)	Thread (M)	Materials
GSAF-BCMZ-A10-MC-19M6	10	19	M6 x 1.0	Zinc Plated
GSAF-BCMZ-A10-MC-19M8	10	19	M8 x 1.25	Zinc Plated



Product Code	Diameter Of Ball Stud (D)	Center to End Length (E)	Ball Length (A)	Ball and Stud Length (B)	Thread (M)	Materials
GSAF-BCMZ-S10-X-25M6	10	25	11	23.5	M6 x 1.0	Zinc Plated
GSAF-BCMZ-S13-X-30M8	13	30	13	29.5	M8 x 1.25	Zinc Plated

## STRUT END FITTINGS - BALL STUDS (Metal)



**GSAF-BSMZ-S10-WS-17M8**

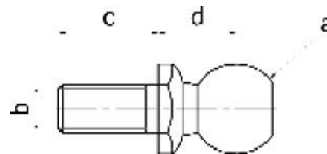


**GSAF-BSMZ-S10-Weld-1808**

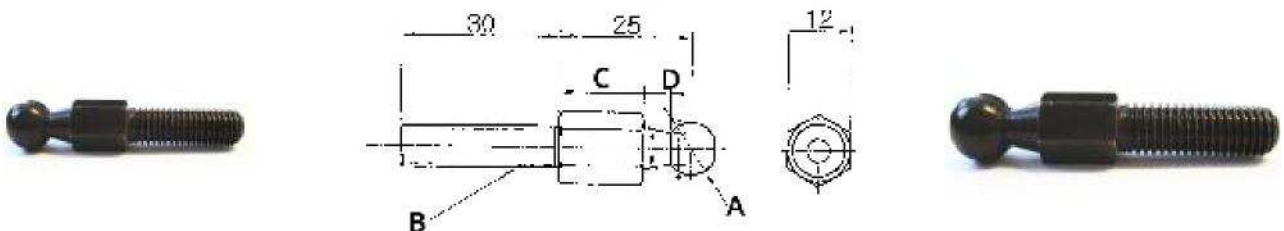


**GSAF-BSMZ-S10-Weld-1308**

Product Code	Diameter Of Ball Stud	Center of Ball Stud to end of Shaft	Thread	Materials
GSAF-BSMZ-S10-HW-17M8	10	17	M8 x 1.25	Zinc Plated c/w fixed washer
GSAF-BSMZ-S10-Weld-1808	10	18	n/a	Zinc Plated
GSAF-BSMZ-S10-Weld-1308	10	13	n/a	Zinc Plated

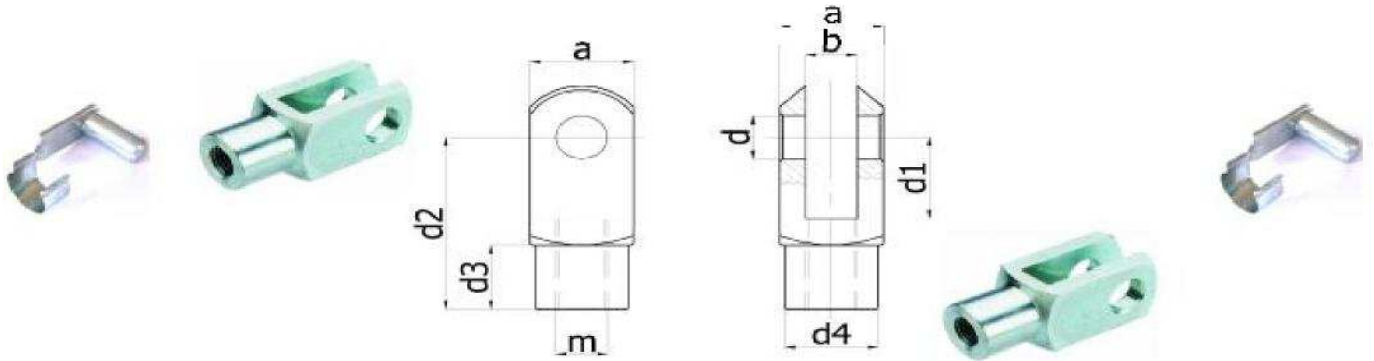


Product Code	Diameter Of Ball Stud (a)	Thread Length to U/S Nut (c)	Center of Ball Stud to U/S Nut (d)	Thread (b)	Materials
GSAF-BSMB-S08-H-10M6	8	10	13	M6 x 1.0	Black / Zinc Plated
GSAF-BSMB-S10-H-14M6	10	14	16	M6 x 1.0	Black / Zinc Plated
GSAF-BSMB-S10-H-14M8	10	14	16	M8 x 1.25	Black / Zinc Plated
GSAF-BSMB-S10-H-30M8	10	30	16	M8 x 1.25	Black / Zinc Plated
GSAF-BSMB-S13-H-16M8	13	16	15	M8 x 1.25	Black / Zinc Plated
GSAF-BSMB-S13-H-30M8	13	30	15	M8 x 1.25	Black / Zinc Plated
GSAF-BSMB-S13-H-16M10	13	16	15	M10 x 1.5	Black / Zinc Plated
GSAF-BSMB-S13-H-40M10	13	40	15	M10 x 1.5	Black / Zinc Plated
GSAF-BSMB-S16-H-20M10	16	20	16	M10 x 1.5	Black / Zinc Plated
GSAF-BSMB-S10-H-14M8	10	14	16	M8 x 1.25	Stainless Steel
GSAF-BSMB-S13-H-16M8	13	16	15	M8 x 1.25	Stainless Steel



Product Code	Diameter Of Ball Stud (A)	Length of Nut (C)	Length of Nut to U/S of Ball (D)	Thread (B)	Materials
GSAF-BSMB-S10-H-30M8	10	16	5	M8 x 1.25	Black / Zinc Plated
GSAF-BSMB-S13-H-30M10	13	14	6	M10 x 1.5	Black / Zinc Plated

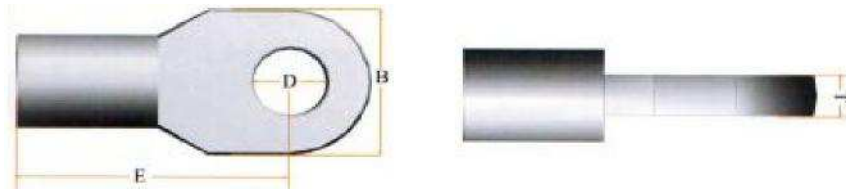
## STRUT END FITTINGS - CLEVIS & PIN



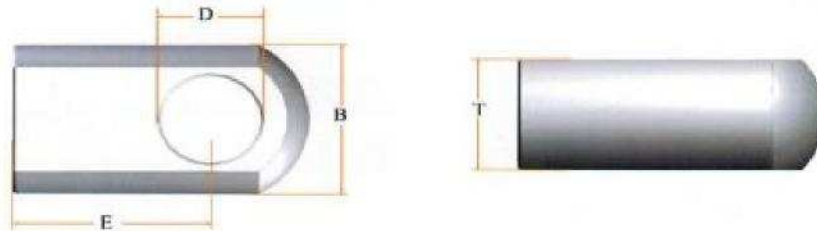
Product Code	a	b	d	d1	d2	d3	d4	m	Materials
GSAF-CLMZ-06D-6T-24M6	12	6	6	12	24	9	10	M6 x 1.0	Zinc Plated
GSAF-CLMZ-06D-6T-36M6	12	6	6	24	36	9	10	M6 x 1.0	Zinc Plated
GSAF-CLMZ-08D-8T-32M6	16	8	8	16	32	12	14	M6 x 1.0	Zinc Plated
GSAF-CLMZ-08D-8T-32M8	16	8	8	16	32	12	14	M8 x 1.25	Zinc Plated
GSAF-CLMZ-08D-8T-48M8	16	8	8	32	48	12	14	M8 x 1.25	Zinc Plated
GSAF-CLMZ-08D-8T-32M10	16	8	8	16	32	12	14	M10 x 1.5	Zinc Plated
GSAF-CLMZ-10D-10T-40M10	20	10	10	20	40	15	18	M10 x 1.5	Zinc Plated
GSAF-CLMZ-10D-10T-60M10	20	10	10	40	60	15	18	M10 x 1.5	Zinc Plated
GSAF-CLSS-06D-6T-24M6	12	6	6	12	24	9	10	M6 x 1.0	Stainless Steel
GSAF-CLSS-08D-8T-32M8	16	8	8	28	32	12	14	M8 x 1.25	Stainless Steel
GSAF-CLSS-10D-10T-40M10	20	10	10	20	40	15	18	M10 x 1.5	Stainless Steel



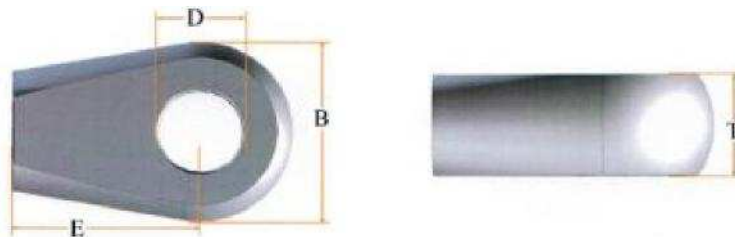
## STRUT END FITTINGS - EYELET



Product Code	D	E	B	T	M	Materials
GSAF-E1MZ-06D-3T-18M6	6.1	18	13	3	M6 x 1.0	Zinc Plated
GSAF-E1MZ-08D-3T-18M6	8.1	18	13	3	M6 x 1.0	Zinc Plated

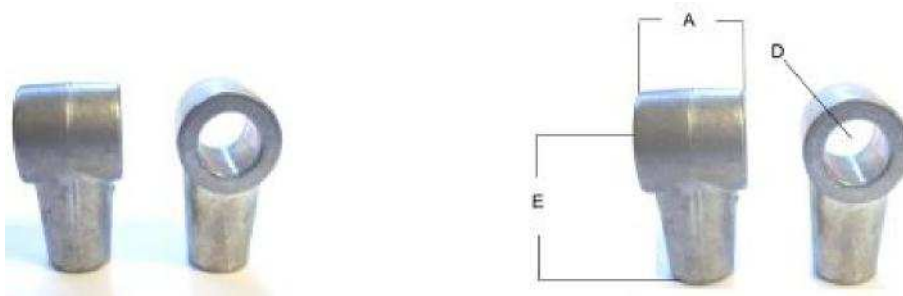


Product Code	D	T	E	B	M	Materials
GSAF-E2MZ-08D-12T-22M10	8.1	12	22	16	M10 x 1.5	Zinc Plated
GSAF-E2MZ-10D-12T-22M10	10.1	12	22	16	M10 x 1.5	Zinc Plated
GSAF-E2MZ-08D-12T-27M10	8.1	12	27	16	M10 x 1.5	Zinc Plated
GSAF-E2MZ-10D-12T-27M10	10.1	12	27	16	M10 x 1.5	Zinc Plated



Product Code	D	T	E	B	M	Materials
GSAF-E2MZ-06D-12T-18M6	6.1	12	18	18	M6 x 1.0	Zinc Plated
GSAF-E2MZ-08D-12T-18M6	8.1	12	18	18	M6 x 1.0	Zinc Plated

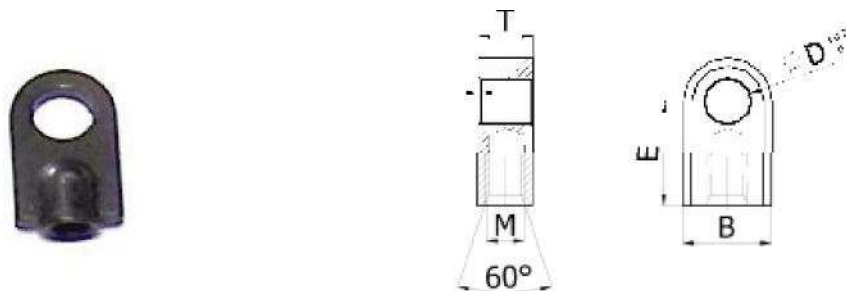
## STRUT END FITTINGS - EYELET



Product Code	A	E	D	M	Material
GSAF-E3MZ-10D-18T-25M8	18	25	10	M8 x 1.25	Zinc Plated
GSAF-E3MZ-10D-18T-25M10	18	25	10	M10 x 1.5	Zinc Plated



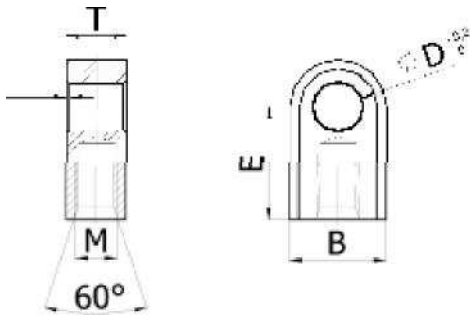
Product Code	D	E	T	B	M	Materials
GSAF-E1MB-06D-5T-18M6	6.1	18	5	16	M6 X 1.0	Black / Zinc Plated
GSAF-E1MB-08D-5T-18M6	8.1	18	5	16	M6 x 1.0	Black / Zinc Plated



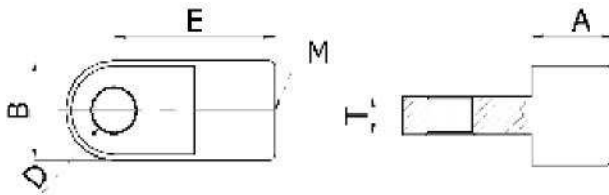
Product Code	D	E	T	B	M	Materials
GSAF-E2MB-06D-5T-18M6	6.1	18	5	16	M6 x 1.0	Black / Zinc Plated
GSAF-E2MB-06D-5T-18M6	8.1	18	5	16	M6 x 1.0	Black / Zinc Plated



## STRUT END FITTINGS - EYELET SERIES

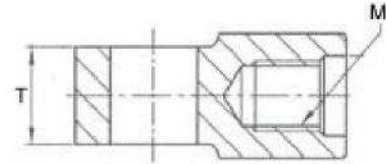
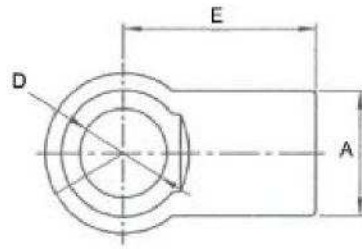


Product Code	D	E	T	B	M	Material
GSAF-E2-1	6,1	18	10	16	M6x1.0	Bright Zinc
GSAF-E2-2	8,1	18	10	16	M6x1.0	Bright Zinc
GSAF-E2-3	8.1	21	10	16	M8X1.25	Bright Zinc

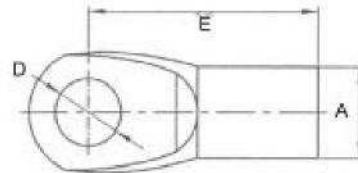
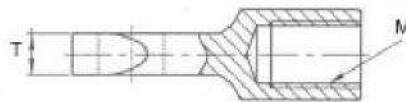


Product Code	D	E	T	B	A	M	Material
GSAF-E1-1	10.1	21	10	18	12	M8X1.25	Bright Zinc
GSAF-E1-2	10.1	21	10	15	15	M10X1.25	Bright Zinc
GSAF-E1-3	8.1	21	10	15	15	M10X1.25	Bright Zinc
GSAF-E1-4	8.1	30	10	15	15	M10X1.25	Bright Zinc
GSAF-E1-5	8.1	35	10	20	20	M8X1.25	Bright Zinc
GSAF-E1-6	10.1	35	10	20	20	M8X1.25	Bright Zinc
GSAF-E1-7	8,1	35	10	18	20	M10X1.5	Bright Zinc
GSAF-E1-8	10.1	35	10	20	20	M10X1.5	Bright Zinc

## STRUT END FITTINGS - EYELET SERIES

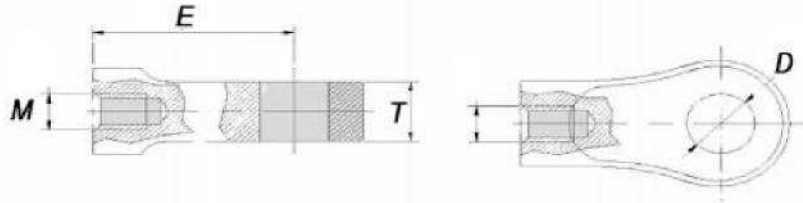


Product Code	D	E	T	A	M	Material
GSAF-E3-1	6.1	18	11	14	M6X1.0	Stainless steel
GSAF-E3-2	8.1	18	11	16	M6X1.0	Stainless steel
GSAF-E3-3	8.1	21	11	16	M8X1.25	Stainless steel
GSAF-E3-4	8.1	21	11	16	M10X1.5	Stainless steel
GSAF-E3-5	10.1	21	11	16	M10X1.5	Stainless steel
GSAF-E3-6	8.1	21	11	16	M8X1.25	Black / Zinc Plated
GSAF-E3-7	10.1	21	11	16	M8X1.25	Black / Zinc Plated
GSAF-E3-8	8.1	21	11	16	M10X1.5	Black / Zinc Plated
GSAF-E3-9	10.1	21	11	16	M10X1.5	Black / Zinc Plated



Product Code	D	E	T	A	M	Materials
GSAF-E1-9	6.1	24	5	10	M6X1.0	Black / Zinc Plated
GSAF-E1-10	8.1	24	5	10	M6X1.0	Black / Zinc Plated
GSAF-E1-11	8.1	28	5	10	M8X1.25	Black / Zinc Plated
GSAF-E1-12	10.1	28	5	10	M8X1.25	Black / Zinc Plated
GSAF-E1-13	10.1	30	5	14	M10x1.5	Black / Zinc Plated
GSAF-E1-14	10.1	30	10	14	M10x1.5	Black / Zinc Plated

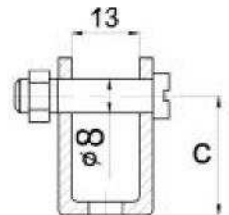
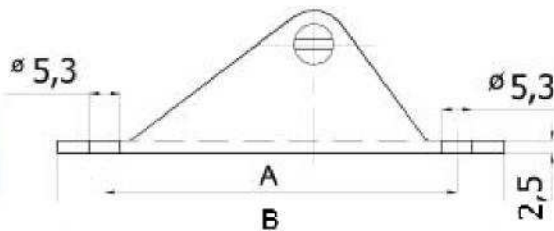
## STRUT END FITTINGS - EYELET SERIES



Product Code	D	E	T	M	Materials
GSAF-E2-4	6,1	28.5	10	M6x1.0	Black / Zinc Plated
GSAF-E2-5	8,1	28.5	10	M6x1.0	Black / Zinc Plated



Product Code	Specifications
GSAF-RVPIN	Rivet pin with plastic bush
GSAF-BRGS	et to suit RV pin – 25mm centres 13mm dia

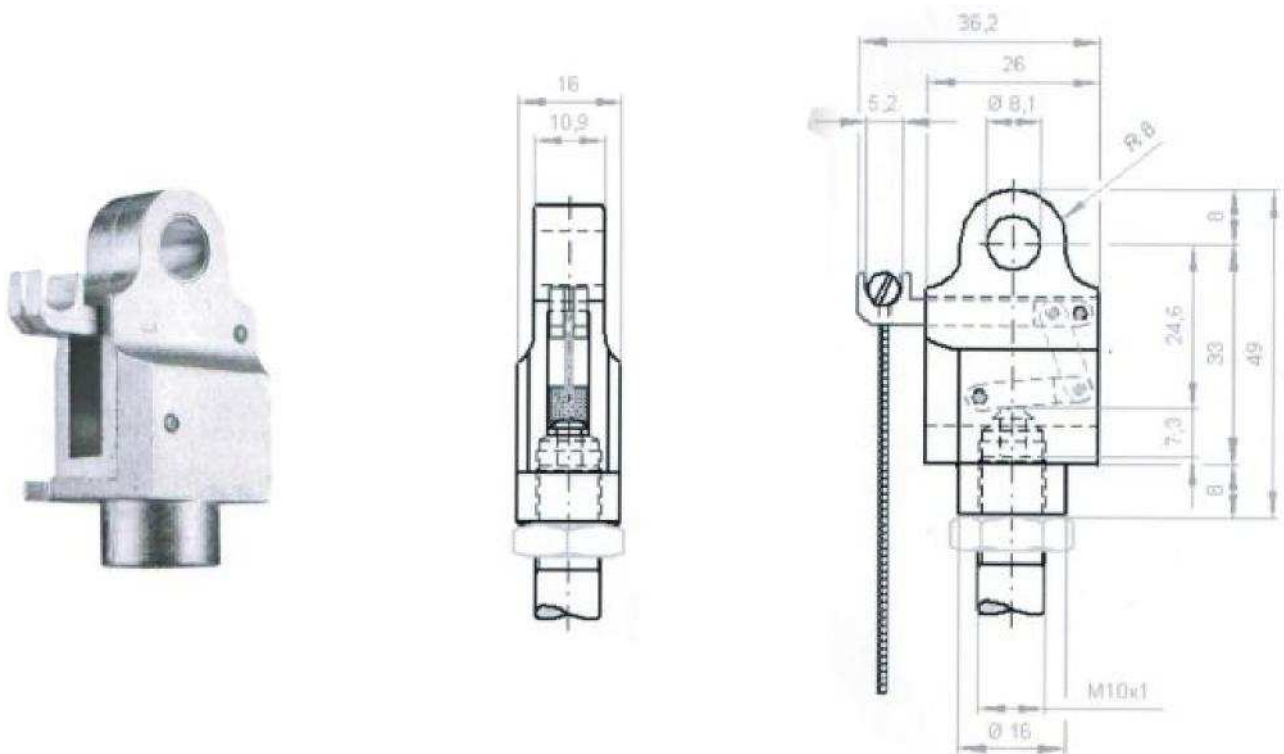


Product Code	A	B	C
GSAF-BI031	75	95	20
GSAF-BI032	50	69	17

## STRUT END FITTINGS - EYELET SERIES

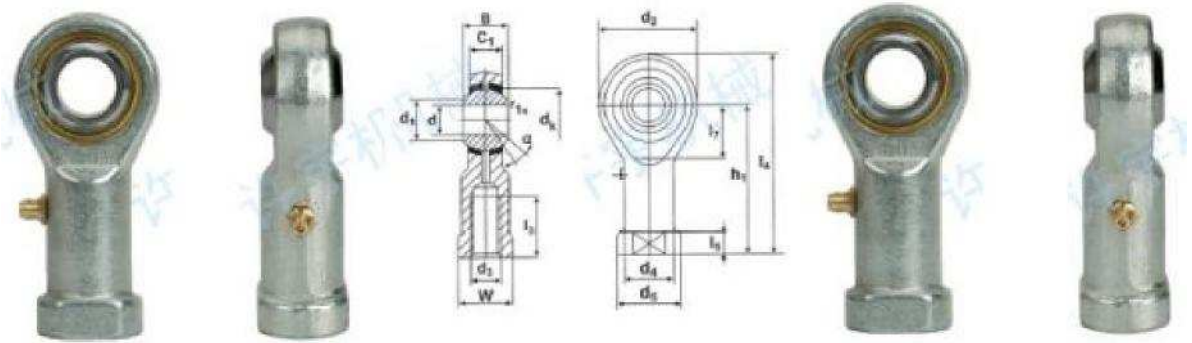


Product Code	A	E	D	M	Material
GSAF-E4	11	26.5	8	M10x1.0	Bright Zinc

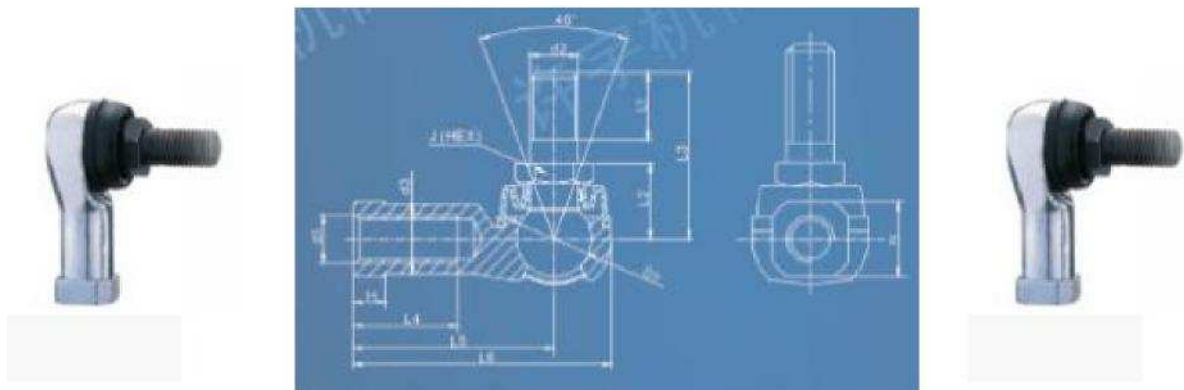


Product Code	Thickness	Centres	D	M	Material
GSAF-E5	10.9	41	8.1	M10x1.0	Bright Zinc

**STRUT END FITTINGS - SPHERICAL & STUDED ROD**



Product Code	D	D <sub>3</sub>	B	C <sub>1</sub>	W	l <sub>3</sub>	D <sub>2</sub>	l <sub>4</sub>	H <sub>1</sub>	l <sub>5</sub>	D <sub>4</sub>	D <sub>5</sub>	d <sub>K</sub>	D <sub>1</sub>
GSAF-SPHS06	6	M6	9	6.75	11	14	20	40	30	5	10	13	12.7	9
GSAF-SPHS08	8	M8	12	9	14	17	24	48	36	5	12.5	16	15.87	10.4
GSAF-SPHS10	10	M10	14	10.5	17	21	26	56	43	6.5	15	19	19.05	12.9



Product Code	d3	L1	L2	L3	L4	L5	L6	H	W	J	d1
GSAF-SRBLM06	10	11	11	26	16	30	38	5	11	10	M6X1.0
GSAF-SRBLM08	13	12	14	31	19	38	45	6	14	12	M8X1.25
GSAF-SRBLM10	14	21	17	43	23	43	55	7	17	14	M10X1.5